

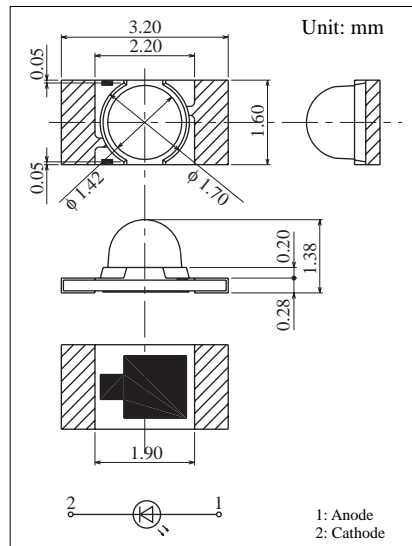
Dome-Lens Type

Conventional Part No. Global Part No. Lighting Color
 LNJ218C8ARU1 LNJ218C8ARU1 Red

■ Absolute Maximum Ratings (T_a = 25°C)

Lighting Color	P(mW)	I _{FDC} (mA)	I _{FP} (mA)*	V _R (V)	T _{opr} (°C)	T _{stg} (°C)
Red	60	20	100	3	-30 ~ +85	-40 ~ +100

I_{FP}の条件は μ duty 10% Pulse width 1 msec. The condition of I_{FP} is duty 10%, Pulse width 1 msec



■ Electro-Optical Characteristics (T_a = 25°C)

Conventional Part No.	Lighting Color	Lens Color	I _O			V _F		λ_p	$\Delta\lambda$	I _F	I _R	
			Typ	Min	I _F	Typ	Max	Typ	Typ		Max	V _R
LNJ218C8ARU1	Red	Clear	14	7.4	10	1.72	2.5	660	20	10	100	3
Unit	—	—	mcd	mcd	mA	V	V	nm	nm	mA	μ A	V

